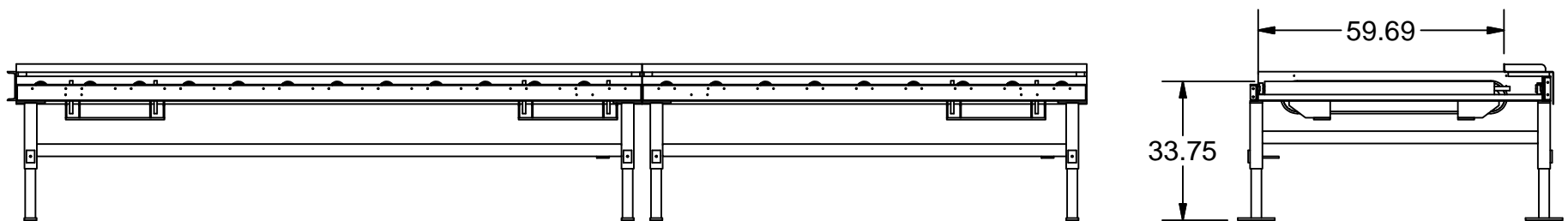
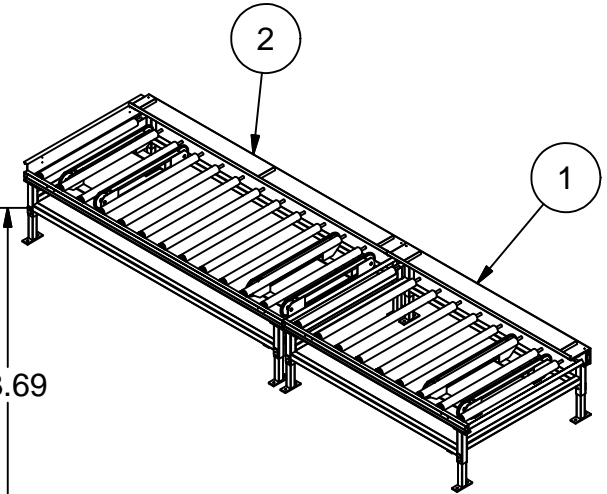
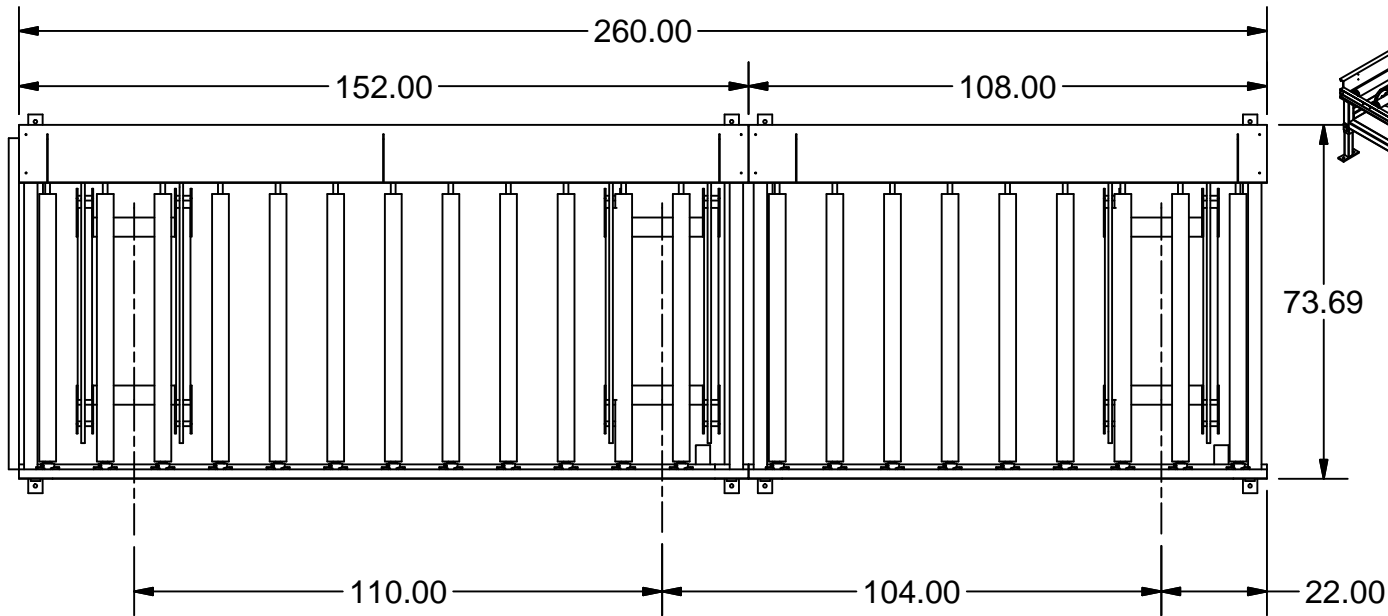


PARTS LIST

ITEM	PART	DESCRIPTION	QTY
1	PRS-CDLR-108	108" CDLR W/ DRIVE & TRANSFER SYSTEM	1
2	PRS-CDLR-152	152" CDLR W/ DRIVE & TRANSFER SYSTEM	1

← *FLOW*



PROPERTY OF PALLET REPAIR SYSTEMS INC. JACKSONVILLE IL AND IS LOANED TO THE RECIPIENT SUBJECT TO RETURN UPON DEMAND. IT'S CONTENTS ARE CONFIDENTIAL AND MUST NOT BE COPIED OR SUBMITTED TO OUTSIDE PARTIES FOR USE OR EXAMINATION.

UNLESS OTHERWISE SPECIFIED
 DIM TOLERANCE: INCHES
 ONE PLACE: +/- .15
 TWO PLACES: +/- .010
 THREE PLACES: +/- .005
 () INDICATES REF DIM
 QTY: 1
 STOCK #: PRSCDLR260
 NEXT ASSY:

MATERIAL: USED	SCALE: NTS
DRAWN BY: TDL	DATE: 5-25-17
DESCP: 260" CDLR SYSTEM	
SHEET NO: 1 OF 1	PART NO: PRS-CDLR-260
REV:	