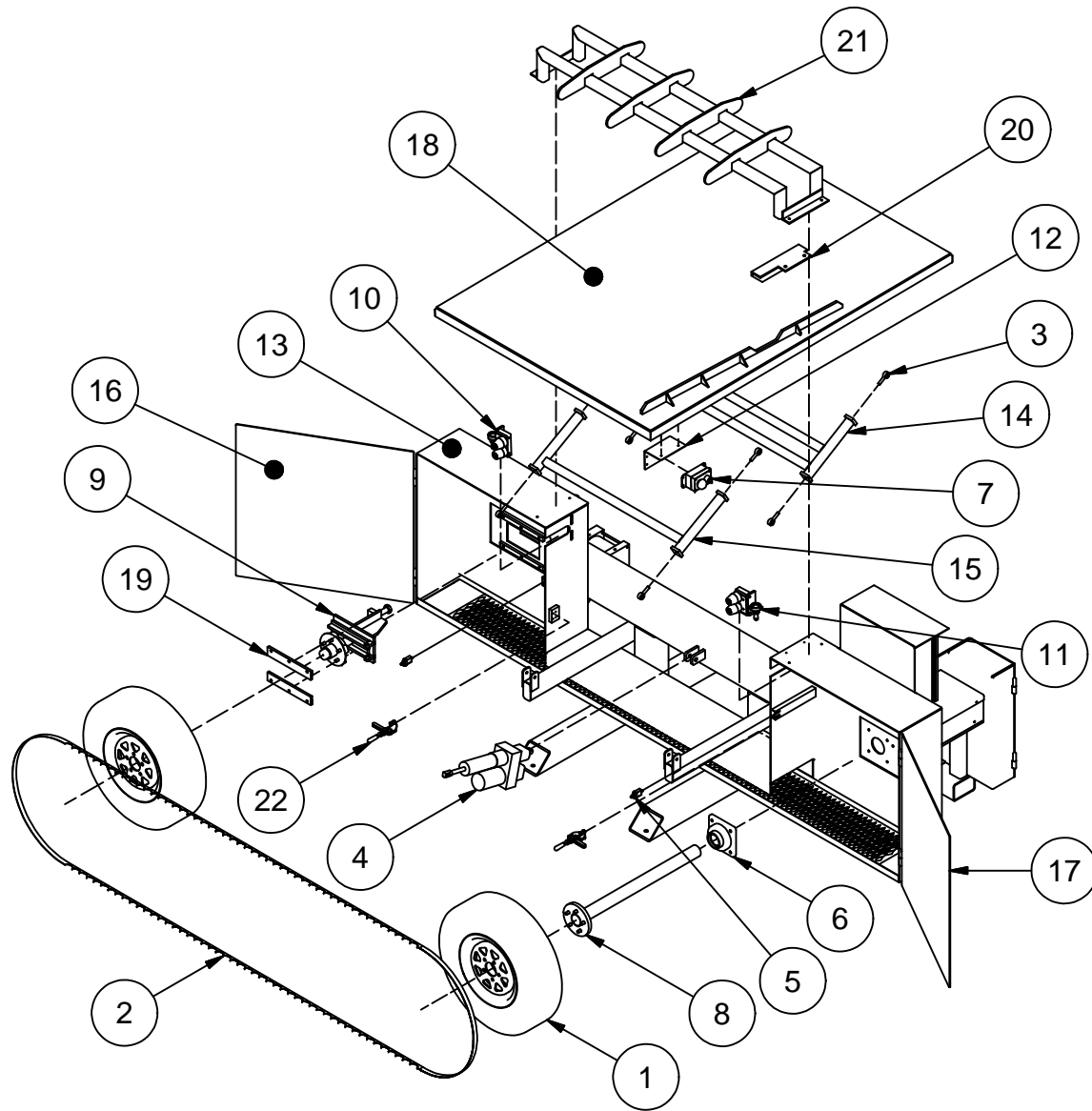


PROPERTY OF PALLET REPAIR SYSTEMS INC. JACKSONVILLE IL AND IS LOANED TO THE RECIPIENT SUBJECT TO RETURN UPON DEMAND. IT'S CONTENTS ARE CONFIDENTIAL AND MUST NOT BE COPIED OR SUBMITTED TO OUTSIDE PARTIES FOR USE OR EXAMINATION.

UNLESS OTHERWISE SPECIFIED  
 DIM TOLERANCE: INCHES  
 ONE PLACE: +/- .15  
 TWO PLACES: +/- .010  
 THREE PLACES: +/- .005  
 ( ) INDICATES REF DIM  
 QTY: 1  
 STOCK #: PRSBSA130  
 NEXT ASSY:

MATERIAL: FINAL ASS'Y	SCALE: NTS
DRAWN BY: TDL	DATE: 7-8-15
DESCP: PROSAW AT - 2-MAN ADJ. TABLE	
SHEET NO: 1 OF 3	PART NO: BSA-130
REV:	



### PARTS LIST

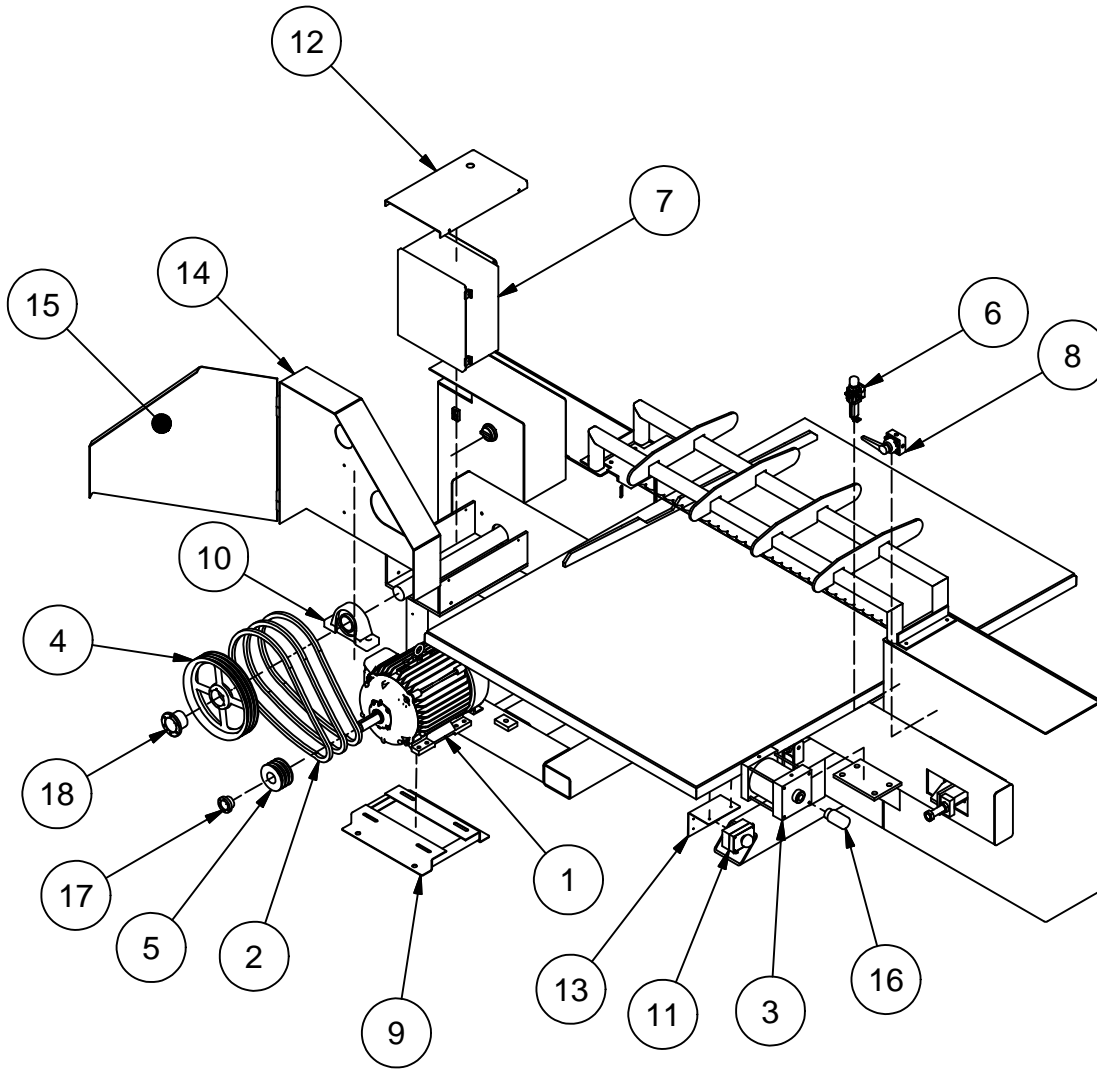
ITEM	STOCK #	DESCRIPTION	QTY
1	17990	7.00-15 BIAS-PLY TIRE (KIT#17990)	2
2	2400DF	24'x1.25"x.042"x6T HPDF BLADE	1
3	59559	1/2 EYE BEARING	8
4	5ZC43	5ZC43 - LINEAR ACTUATOR	1
5	AEM2G16Z11-3	LIMIT SWITCH - METAL PLUNGER	2
6	F4B-DL-207	4-BOLT FLANGE BEARING (2.437")	1
7	PBGX2	EMERGENCY STOP W/ HT. ADJ. (includes 6CX1330-22 & 6CX11J2)	1
8	PRS120DS2716	2-7/16"x33" DRIVE SHAFT W/ HUB/STUDS	1
9	PRBSA300	HUB ASSEMBLY - ADJUSTABLE	1
10	PRBSA302	BLADE GUIDE ASSEMBLY	1
11	PRBSA303	RH BLADE GUIDE ASSEMBLY	1
12	PRSBSP6238	E-STOP BRACKET	1
13	PRBSW1100	BASE FRAME WELDMENT	1
14	PRBSW1520	ADJ. ARM WELDMENT	1
15	PRBSW1521	ADJ. ARM WELDMENT	1
16	PRBSW1600	CABINET DOOR WELDMENT - LH SIDE	1
17	PRBSW1601	CABINET DOOR WELDMENT - RH SIDE	1
18	PRBSW2100	ADJUSTABLE TABLE TOP WELDMENT	1
19	PRSJ022SR	IDLER SLIDE PLATE RETAINER	2
20	PRSJ024BG	BLADE GUARD	1
21	PRSJ028BG	BRIDGE GUARD	1
22	TC-91090	VERTICAL HOLD DOWN CLAMP + LATCH	2



PROPERTY OF PALLET REPAIR SYSTEMS INC. JACKSONVILLE IL AND IS LOANED TO THE RECIPIENT SUBJECT TO RETURN UPON DEMAND. IT'S CONTENTS ARE CONFIDENTIAL AND MUST NOT BE COPIED OR SUBMITTED TO OUTSIDE PARTIES FOR USE OR EXAMINATION.

UNLESS OTHERWISE SPECIFIED  
 DIM TOLERANCE: INCHES  
 ONE PLACE: +/- .15  
 TWO PLACES: +/- .010  
 THREE PLACES: +/- .005  
 ( ) INDICATES REF DIM  
 QTY: 1  
 STOCK #: **PRBSA130**  
 NEXT ASSY:

MATERIAL: FINAL ASS'Y SCALE: NTS  
 DRAWN BY: TDL DATE: 7-8-15  
 DESC: PROSAW AT - 2-MAN ADJ. TABLE  
 SHEET NO: 2 OF 3 PART NO: **BSA-130** REV:



### PARTS LIST

ITEM	STOCK #	DESCRIPTION	QTY
1	170066	LEESON 15 HP 1765 RPM 254 T MOTOR	1
2	1A108	B59 BELT 62" - 15HP	3
3	2W489A	NORGREN AIR CYL - 6" BORE/ 4" STROKE	1
4	3B136SK	3-GROOVE SHEAVE (13.875")	1
5	3B42-SH	3-GROOVE SHEAVE (4.5")	1
6	AFR-3233-M	FILTER/REGULATOR 1/4" PORT W/MOUNTING BRACKET+GUAGE	1
7	B161408CH	CONTROL CABINET	1
8	CVR-437D2-HL	4-Way MANUAL AIR VALVE 1/4" PORTS	1
9	MTA-BASE-W254 T	SLIDE PLATE FOR 15 HP MOTOR	1
10	P2B-DL-207	2-7/16" PILLAR BLOCK BEARING	1
11	PBGX1	EMERGENCY STOP BUTTON ASSEMBLY (GCX1152)	1
12	PRS6219	DRIVE SHAFT COVER	1
13	PRSBSP6238	E-STOP BRACKET	1
14	PRBSW4300A	PULLEY GUARD CABINET WELDMENT	1
15	PRBSW4300B	CABINET DOOR WELDMENT	1
16	PRSJ017TP	BLADE TENSIONING PUSHER	1
17	SHX1.625	1 5/8" ID BUSHING DS	1
18	SKX2.437	2.4375" ID SPLIT TAPER BUSHING DS	1



PROPERTY OF PALLET REPAIR SYSTEMS INC. JACKSONVILLE IL AND IS LOANED TO THE RECIPIENT SUBJECT TO RETURN UPON DEMAND. IT'S CONTENTS ARE CONFIDENTIAL AND MUST NOT BE COPIED OR SUBMITTED TO OUTSIDE PARTIES FOR USE OR EXAMINATION.

UNLESS OTHERWISE SPECIFIED  
 DIM TOLERANCE: INCHES  
 ONE PLACE: +/- .15  
 TWO PLACES: +/- .010  
 THREE PLACES: +/- .005  
 ( ) INDICATES REF DIM

QTY: 1  
 STOCK #: PRBSA130  
 NEXT ASSY:

MATERIAL: FINAL ASS'Y	SCALE: NTS
DRAWN BY: TDL	DATE: 7-8-15
DESCP: PROSAW AT - 2-MAN ADJ. TABLE	
SHEET NO: 3 OF 3	PART NO: BSA-130
REV:	