

PROPERTY OF PALLET REPAIR SYSTEMS INC. JACKSONVILLE IL AND IS LOANED TO THE RECIPIENT SUBJECT TO RETURN UPON DEMAND. IT'S CONTENTS ARE CONFIDENTIAL AND MUST NOT BE COPIED OR SUBMITTED TO OUTSIDE PARTIES FOR USE OR EXAMINATION.

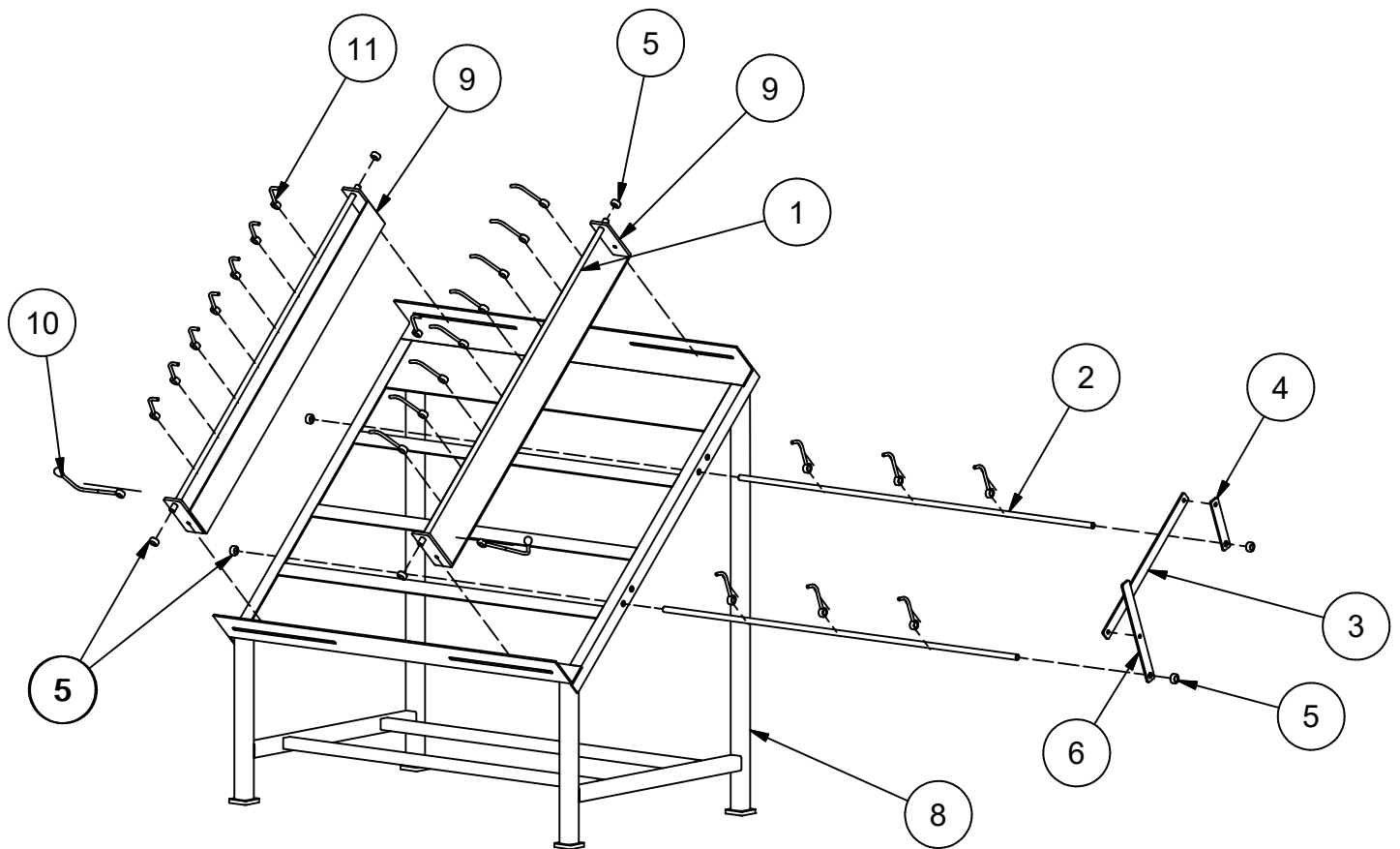
UNLESS OTHERWISE SPECIFIED
 DIM TOLERANCE: INCHES
 ONE PLACE: +/- .15
 TWO PLACES: +/- .010
 THREE PLACES: +/- .005
 () INDICATES REF DIM

QTY: 1
 STOCK #: PRSPFA100
 NEXT ASSY: XX

MATERIAL:	WELDMENT	SCALE:	NTS
DRAWN BY:	TDL	DATE:	3-6-19
DESCP:	ADJUSTABLE PALLET FRAMER		
SHEET NO:	PART NO:	REV:	
1 OF 2	PFA-100	B	

PARTS LIST

ITEM	PART	TITLE	QTY
1	PF-14	SHAFT	2
2	PF-15	SHAFT	2
3	PF-16	CONNECTING ROD	1
4	PF-17	LINKAGE	1
5	PF-19A	3/4" SET COLLAR	8
6	PF-20	HANDLE	1
8	PFW-1000	PALLET FRAMER BASE FRAME	1
9	PFW-4000	ADJUSTABLE SIDE RAIL ASSEMBLY	2
10	PFW-4100	FINGER WELDMENT	2
11	PFW-4200	FINGER WELDMENT	22



PROPERTY OF PALLET REPAIR SYSTEMS INC. JACKSONVILLE IL AND IS LOANED TO THE RECIPIENT SUBJECT TO RETURN UPON DEMAND. IT'S CONTENTS ARE CONFIDENTIAL AND MUST NOT BE COPIED OR SUBMITTED TO OUTSIDE PARTIES FOR USE OR EXAMINATION.

UNLESS OTHERWISE SPECIFIED
 DIM TOLERANCE: INCHES
 ONE PLACE: +/- .15
 TWO PLACES: +/- .010
 THREE PLACES: +/- .005
 () INDICATES REF DIM
 QTY: 1
 STOCK #: PRSPFA100
 NEXT ASSY: -

MATERIAL: ASSEMBLY SCALE: NTS
 DRAWN BY: TDL DATE: 3-6-19
 DESC: ADJUSTABLE PALLET FRAMER
 SHEET NO: 2 OF 2 PART NO: PFA-100 REV: B